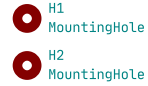


Power



File: power.kicad_sch

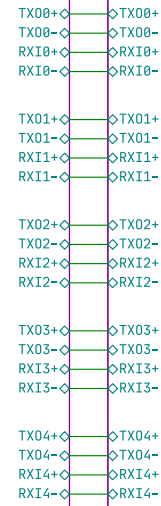


IP1756



File: IP1756.kicad_sch

Magnetics



File: magnetics.kicad_sch

// ATTEMPT THE IMPOSSIBLE.
// TECHNOLOGY FOR ALL.

World's smallest and cheapest 5 port unmanaged ethernet switch
utilizing the IC Plus IP1756 and external magnetics
MUREX Robotics [Byran Huang and Max Liu]

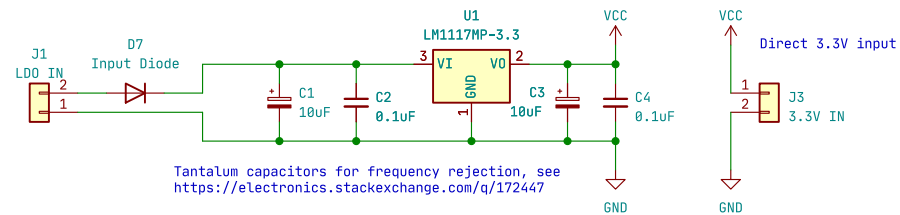
Sheet: /
File: switch.kicad_sch

Title: mrxSwitch

Size: A4 Date: 2024-06-02
KiCad E.D.A. 8.99.0-187-g1297ddc88d

Rev: V2.0
Id: 1/4

Fixed 3.3V output for up to 12V input, should be adequately cooled with thermal vias



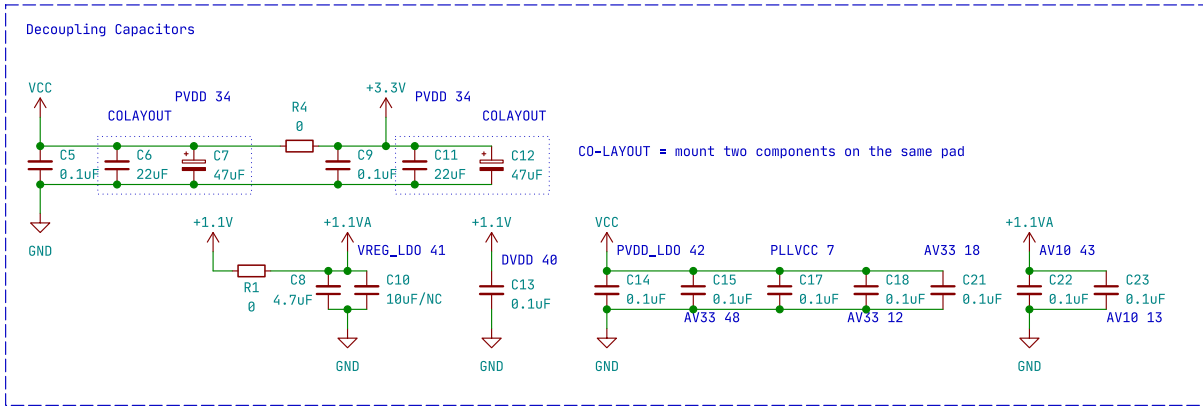
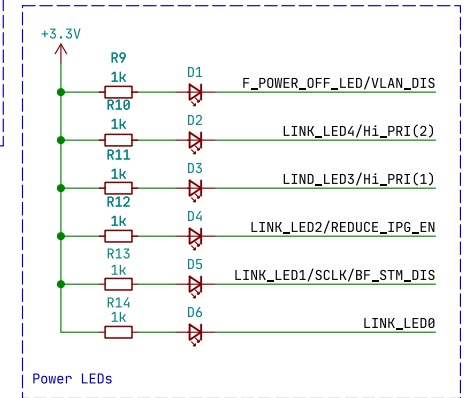
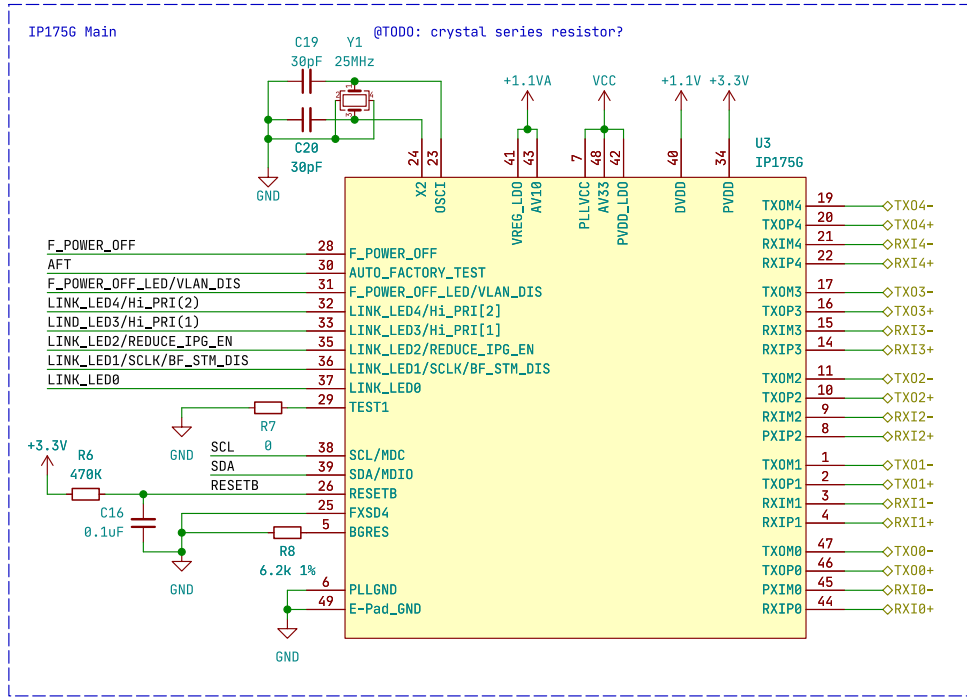
```
// ATTEMPT THE IMPOSSIBLE.  
// TECHNOLOGY FOR ALL.  
World's smallest and cheapest 5 port unmanaged ethernet switch  
utilizing the IC Plus IP1756 and external magnetics  
MUREX Robotics [Byran Huang and Max Liu]
```

Sheet: /Power/
File: power.kicad_sch

Title: mrxSwitch

Size: A4 Date: 2024-06-02
KiCad E.D.A. 8.99.0-187-g1297ddc88d

Rev: V2.0
Id: 2/4



// ATTEMPT THE IMPOSSIBLE.
 // TECHNOLOGY FOR ALL.
 World's smallest and cheapest 5 port unmanaged ethernet switch
 utilizing the IC Plus IP1756 and external magnetics
 MUREX Robotics [Byran Huang and Max Liu]

Sheet: /IP1756/
 File: IP1756.kicad_sch

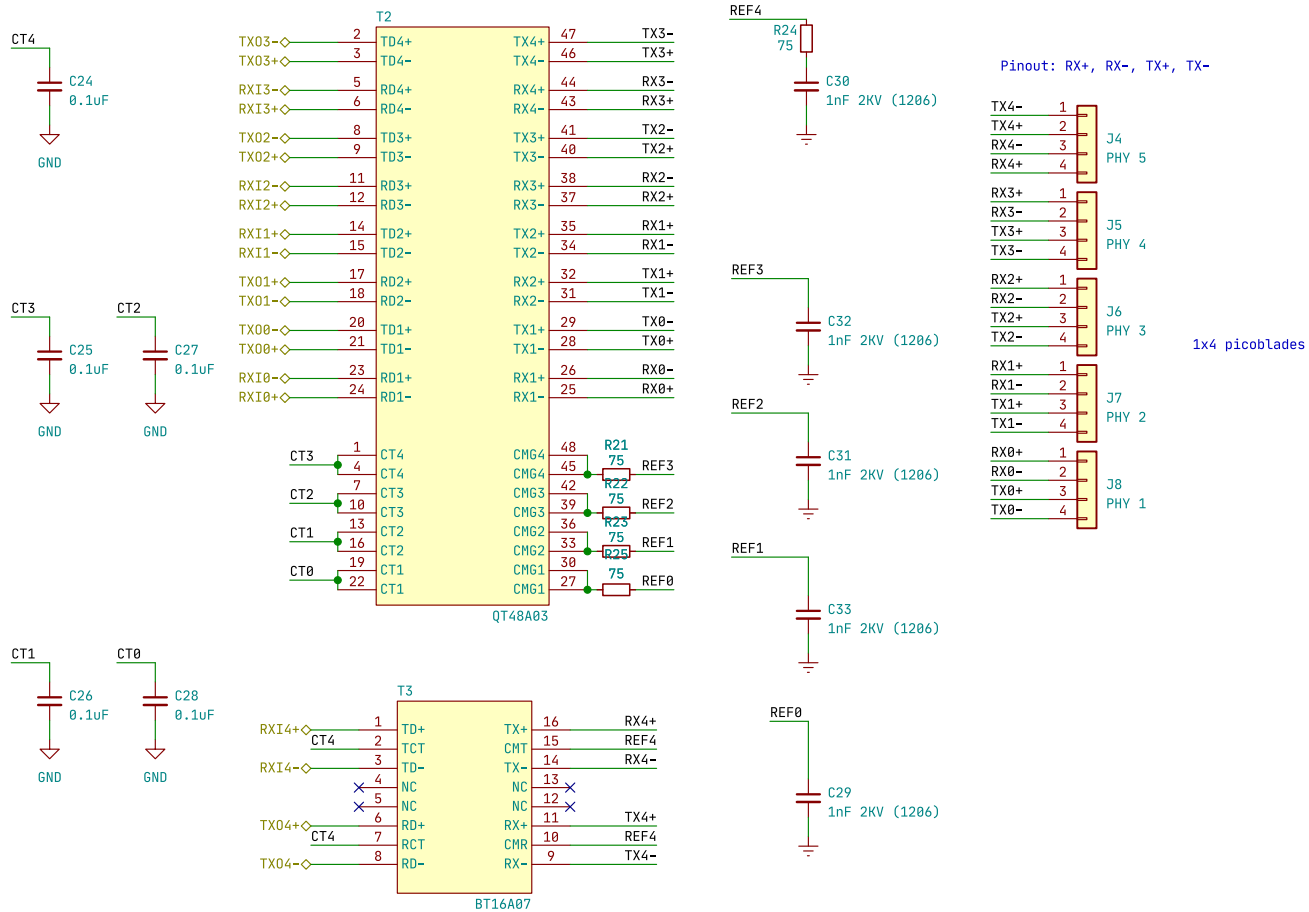
Title: mrxSwitch

Size: A4 Date: 2024-06-02

KiCad E.D.A. 8.99.0-187-g1297ddc88d

Rev: V2.0

Id: 3/4



```
// ATTEMPT THE IMPOSSIBLE.
// TECHNOLOGY FOR ALL.
World's smallest and cheapest 5 port unmanaged ethernet switch
utilizing the IC Plus IP1756 and external magnetics
MUREX Robotics [Byran Huang and Max Liu]
```

```
Sheet: /Magnetics/
File: magnetics.kicad_sch
```

Title: mrxSwitch

Size: A4 Date: 2024-06-02

Rev: V2.0

KiCad E.D.A. 8.99.0-187-g1297ddc88d

Id: 4/4