





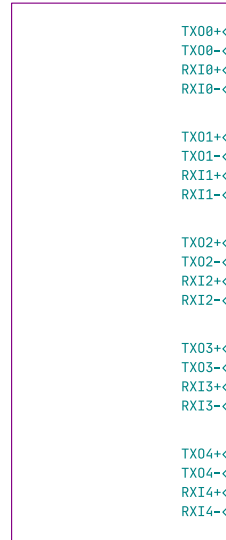
Power



File: power.kicad_sch

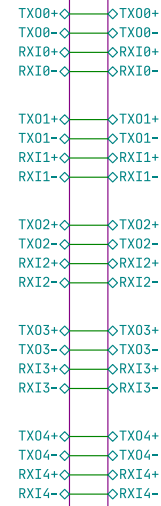
-  H1 MountingHole
-  H2 MountingHole
-  H3 MountingHole
-  H4 MountingHole

IP1756



File: IP1756.kicad_sch

Magnetics



File: magnetics.kicad_sch

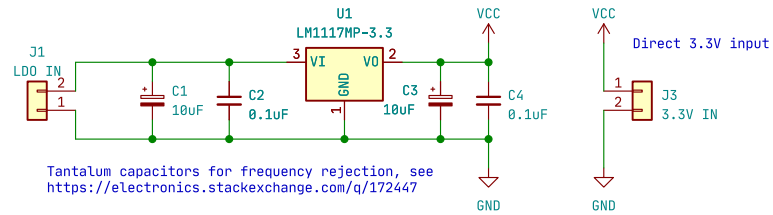
```
// ATTEMPT THE IMPOSSIBLE.
// TECHNOLOGY FOR ALL.
Ultra-compact 5 port unmanaged ethernet switch
utilizing the IC Plus IP1756 and external magnetics
MUREX Robotics [Byran Huang and Max Liu]
```

Sheet: /
File: switch.kicad_sch

Title: MUREX Ethernet Switch

Size: A4	Date: 2023-09-01	Rev: V1.0
KiCad E.D.A.	kicad 7.99.0-957-g18dd623122	Id: 1/4

Fixed 3.3V output for up to 12V input, should be adequately cooled with thermal vias



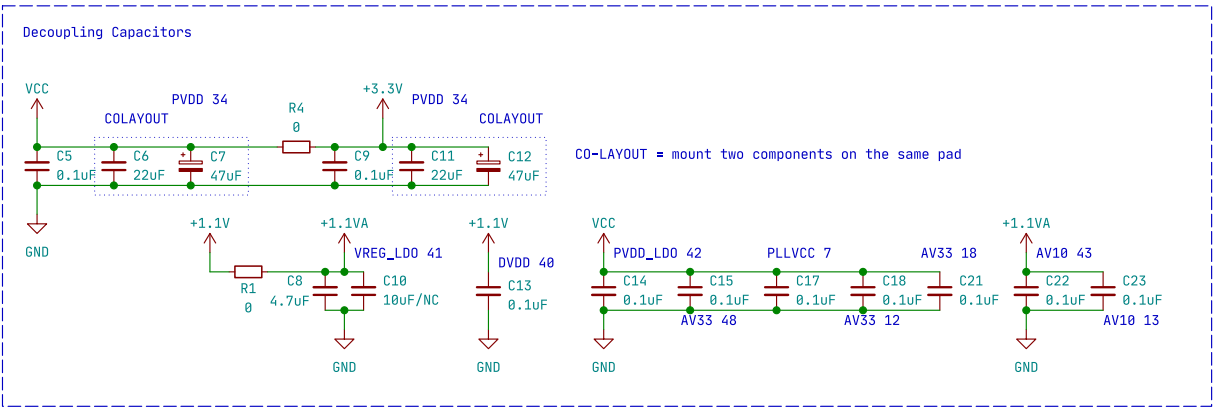
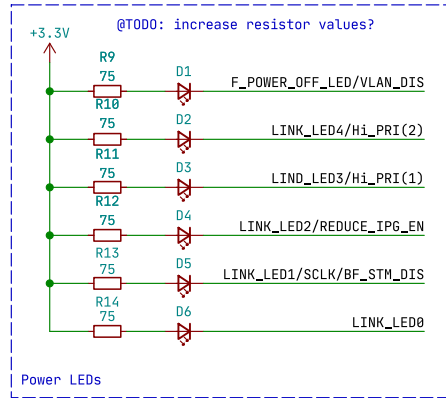
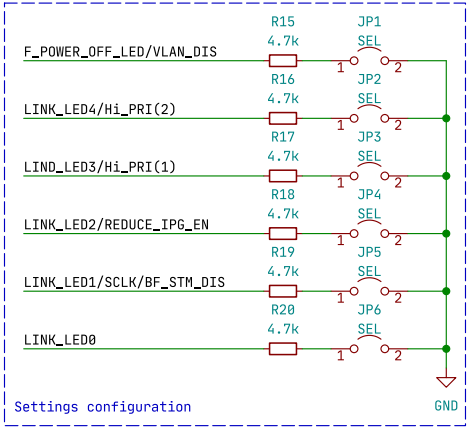
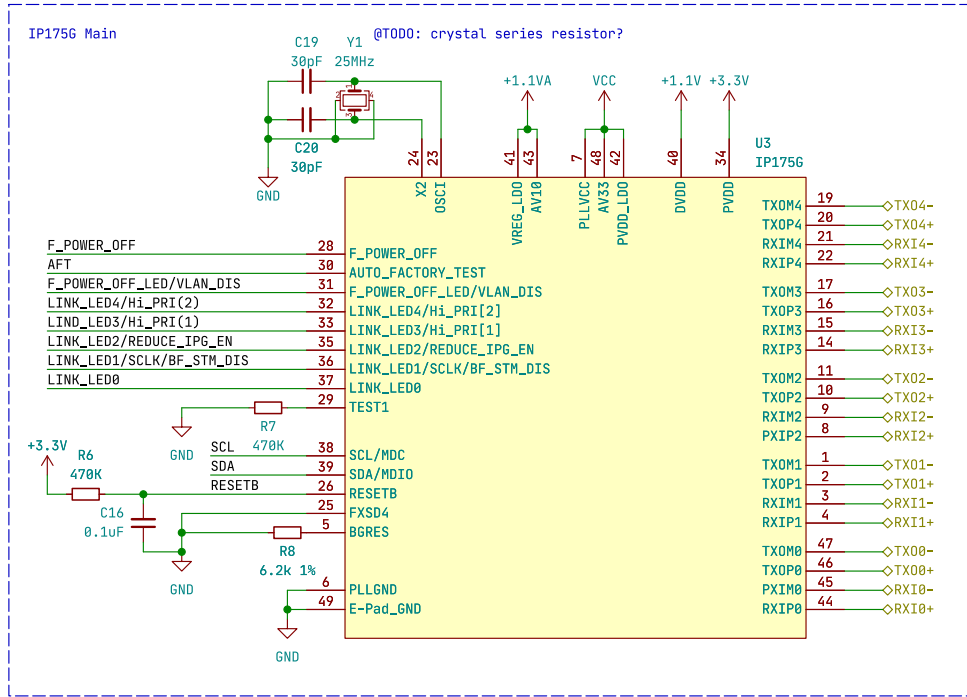
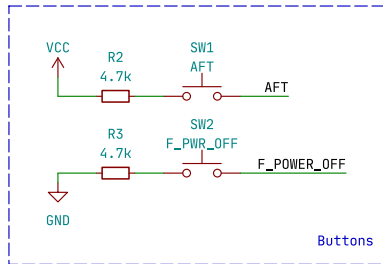
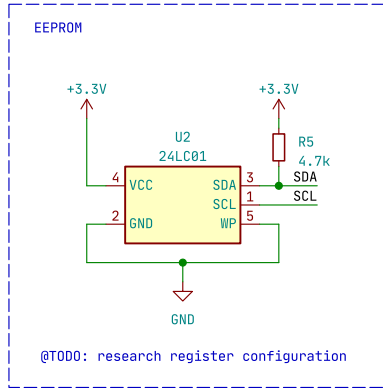
Tantalum capacitors for frequency rejection, see <https://electronics.stackexchange.com/q/172447>

```
// ATTEMPT THE IMPOSSIBLE.  
// TECHNOLOGY FOR ALL.  
Ultra-compact 5 port unmanaged ethernet switch  
utilizing the IC Plus IP1756 and external magnetics  
MUREX Robotics [Byran Huang and Max Liu]
```

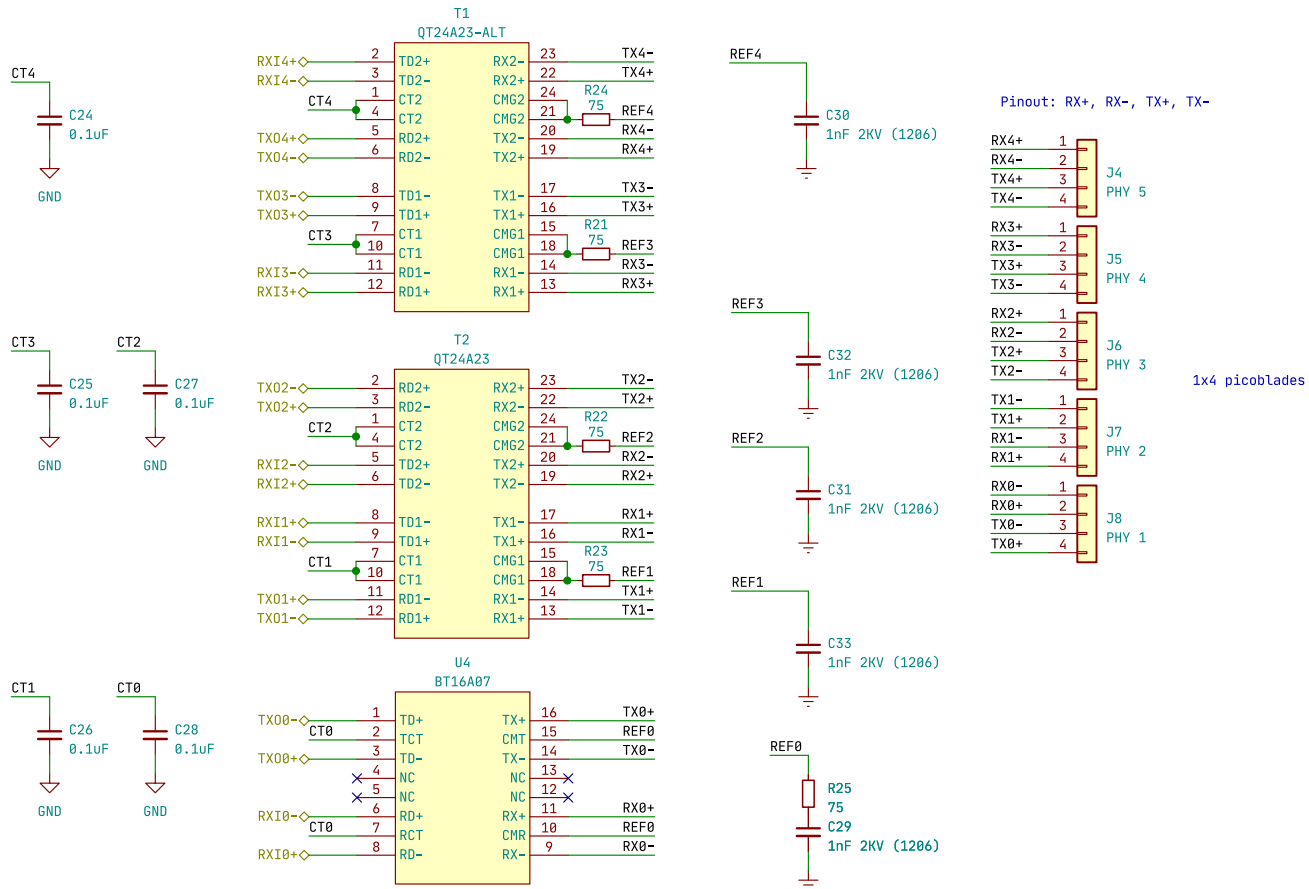
Sheet: /Power/
File: power.kicad_sch

Title: MUREX Ethernet Switch

Size: A4	Date: 2023-09-01	Rev: V1.0
KiCad E.D.A.	kicad 7.99.0-957-g18dd623122	Id: 2/4



```
// ATTEMPT THE IMPOSSIBLE.
// TECHNOLOGY FOR ALL.
Ultra-compact 5 port unmanaged ethernet switch
utilizing the IC Plus IP1756 and external magnetics
MUREX Robotics [Byran Huang and Max Liu]
Sheet: /IP1756/
File: IP1756.kicad_sch
Title: MUREX Ethernet Switch
Size: A4           Date: 2023-09-01
KiCad E.D.A.      kicad 7.99.0-957-g18dd623122
Rev: V1.0
Id: 3/4
```



```
// ATTEMPT THE IMPOSSIBLE.
// TECHNOLOGY FOR ALL.
Ultra-compact 5 port unmanaged ethernet switch
utilizing the IC Plus IP1756 and external magnetics
MUREX Robotics [Byran Huang and Max Liu]
```

```
Sheet: /Magnetics/
File: magnetics.kicad_sch
```

Title: MUREX Ethernet Switch

Size: A4	Date: 2023-09-01	Rev: V1.0
KiCad E.D.A.	kicad 7.99.0-957-g18dd623122	Id: 4/4