

The MUREX DRVESC is Murex Robotics' custom speed controller using an RP2040, TI's DRV8305 driver, and 3 MOSFET half-bridges, as the motor driver architecture.

// MOVE FAST.

// ONLY THE PARANOID SURVIVE.

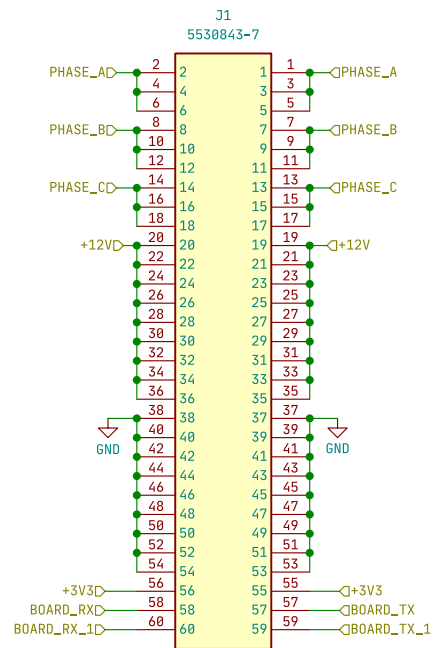
Murex Robotics [Max Liu]

Sheet: /

File: drvesc.kicad_sch

Title: MUREX DRVESC

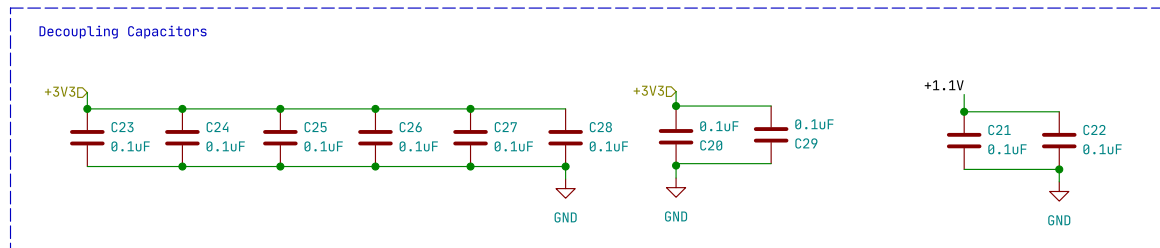
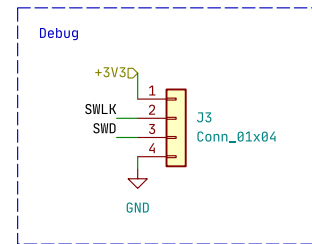
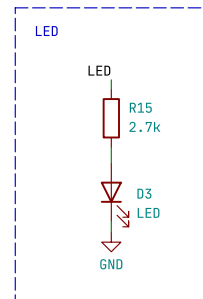
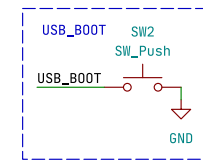
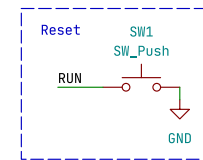
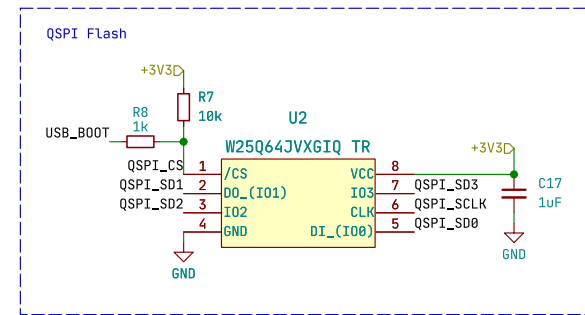
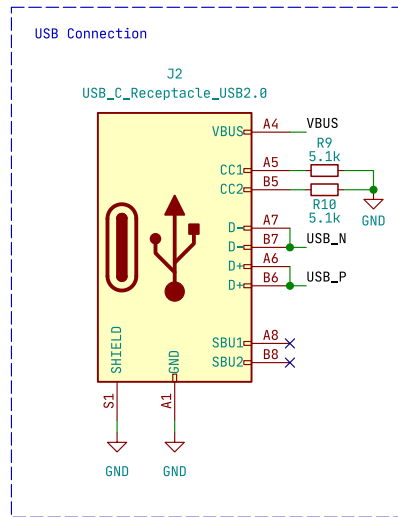
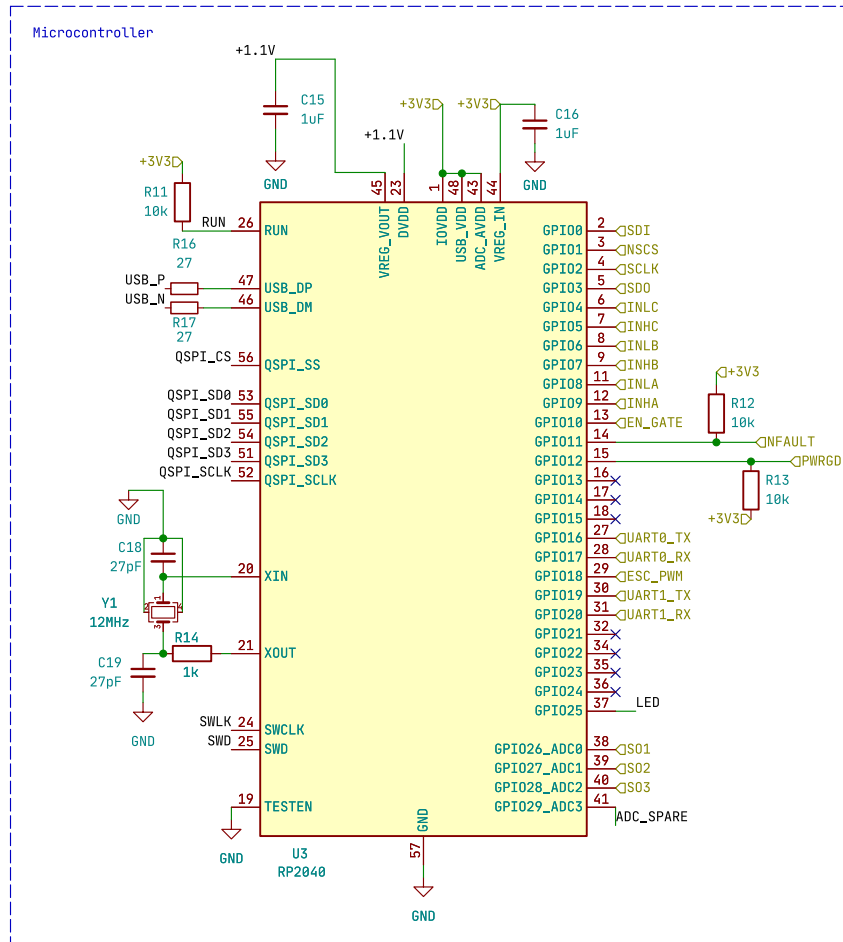
Size: A4	Date: 2023-08-17	Rev: V1.0
KiCad E.D.A.	kicad 7.99.0-957-g18dd623122	Id: 1/3



Sheet: /5530843-7/
File: 5530843-7.kicad_sch

Title:

Size: A4	Date:	Rev:
KiCad E.D.A.	kicad 7.99.0-957-g18dd623122	Id: 2/3



Sheet: /RP2040/		Date:	
File: RP2040.kicad_sch		Rev:	
Title:		Id: 3/3	
Size: A4	KiCad E.D.A. kicad 7.99.0-957-g18dd623122		