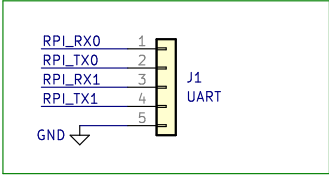


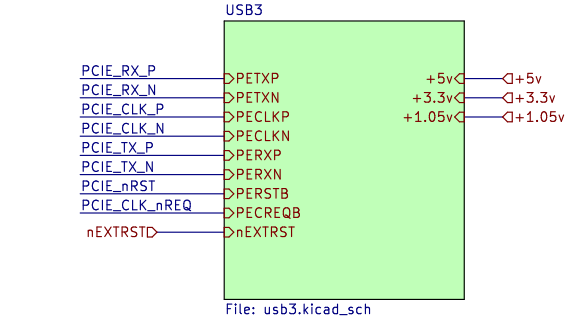
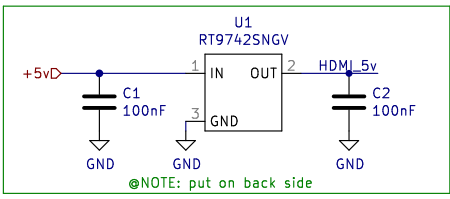
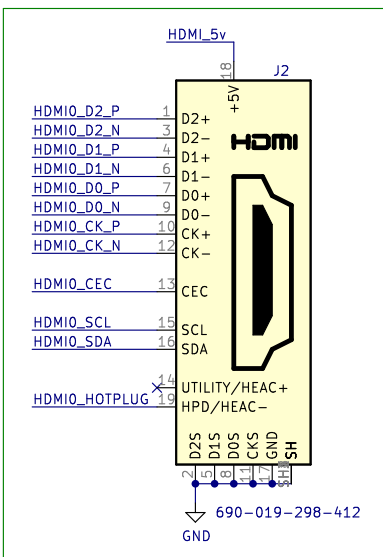
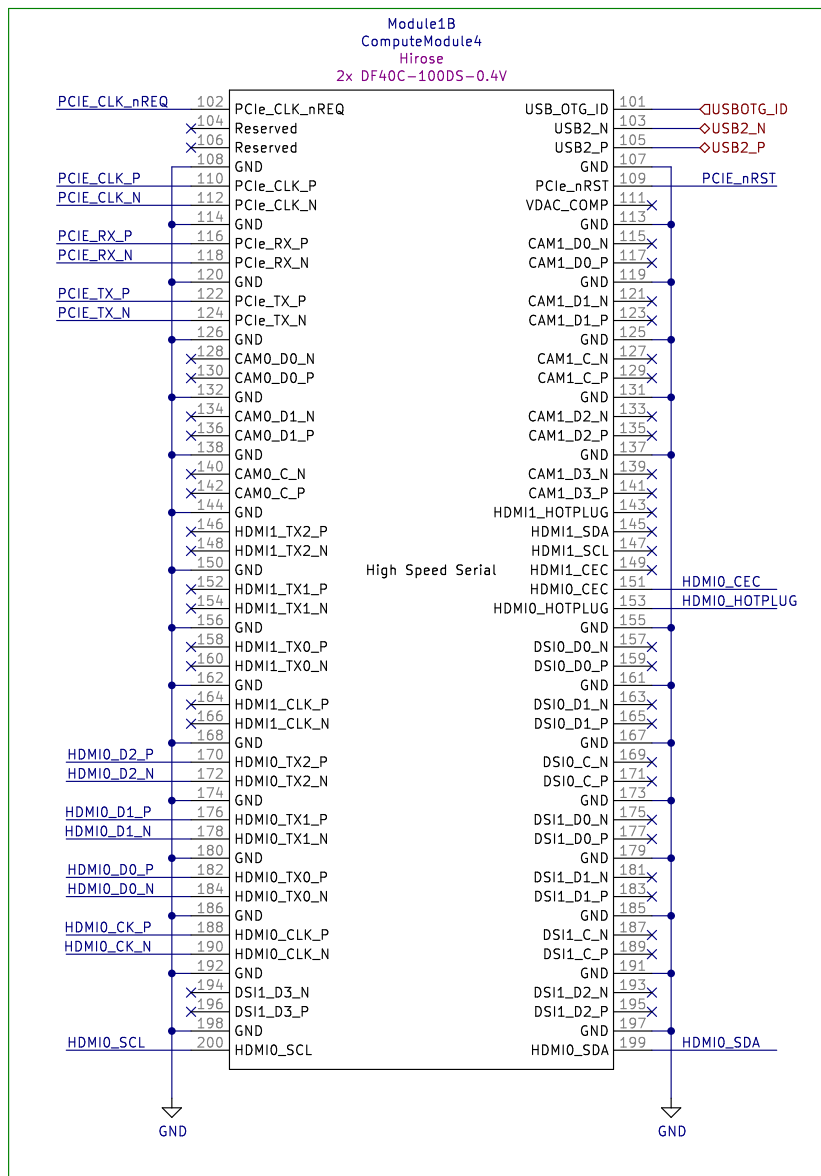
- H1 MountingHole
- H2 ESD Symbol
- H3 KICAD Symbol
- H4 OSHW Symbol

- H5 CM4 GPIO Hirose 2x50
- H6 CM4 High Speed Hirose 2x50



The MUREX Carrier Board is the world's first open-source CM4-based ROV (robotics) control board.
 // ATTEMPT THE IMPOSSIBLE
 // DO IT RIGHT, DO IT MUREX
MUREX Robotics [Byran Huang]

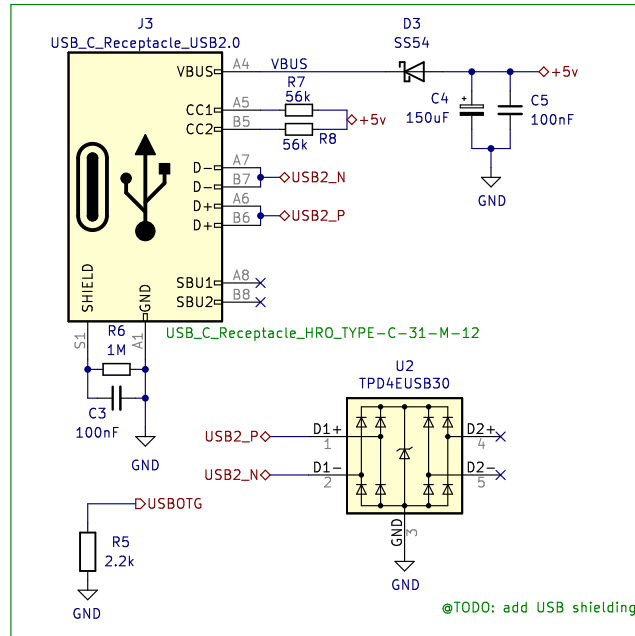
Sheet: /	
File: carrier.kicad_sch	
Title: Carrier Board	
Size: A4	Date: 2023-12-09
KiCad E.D.A. kicad 7.99.0-unknown	Rev: V3
	Id: 1/9



The MUREX Carrier Board is the world's first open-source CM4-based ROV (robotics) control board.
 // ATTEMPT THE IMPOSSIBLE
 // DO IT RIGHT, DO IT MUREX
MUREX Robotics [Byran Huang]
 Sheet: /CM4_HighSpeed/
 File: CM4_HighSpeed.kicad_sch

Title: Carrier Board

Size: A4	Date: 2023-12-09	Rev: V3
KiCad E.D.A. kicad 7.99.0-unknown		Id: 2/9



The MUREX Carrier Board is the world's first open-source
 CM4-based ROV (robotics) control board.
 // ATTEMPT THE IMPOSSIBLE
 // DO IT RIGHT, DO IT MUREX
MUREX Robotics [Byran Huang]

Sheet: /USB2/
 File: USB2.kicad_sch

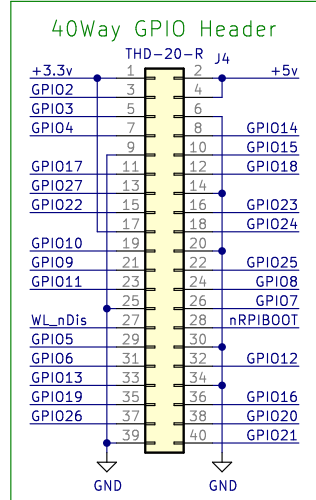
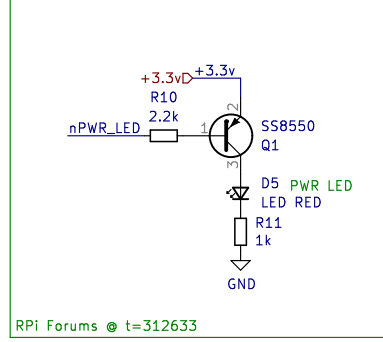
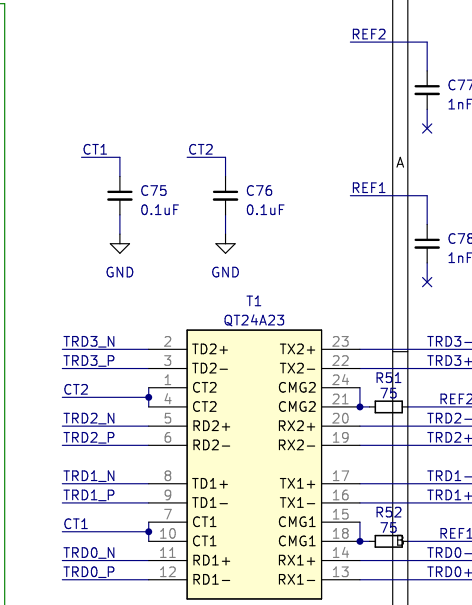
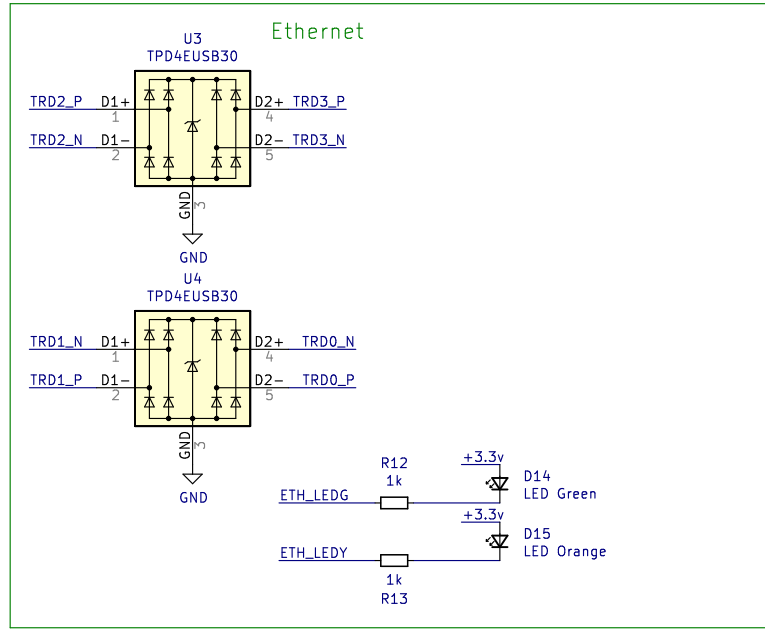
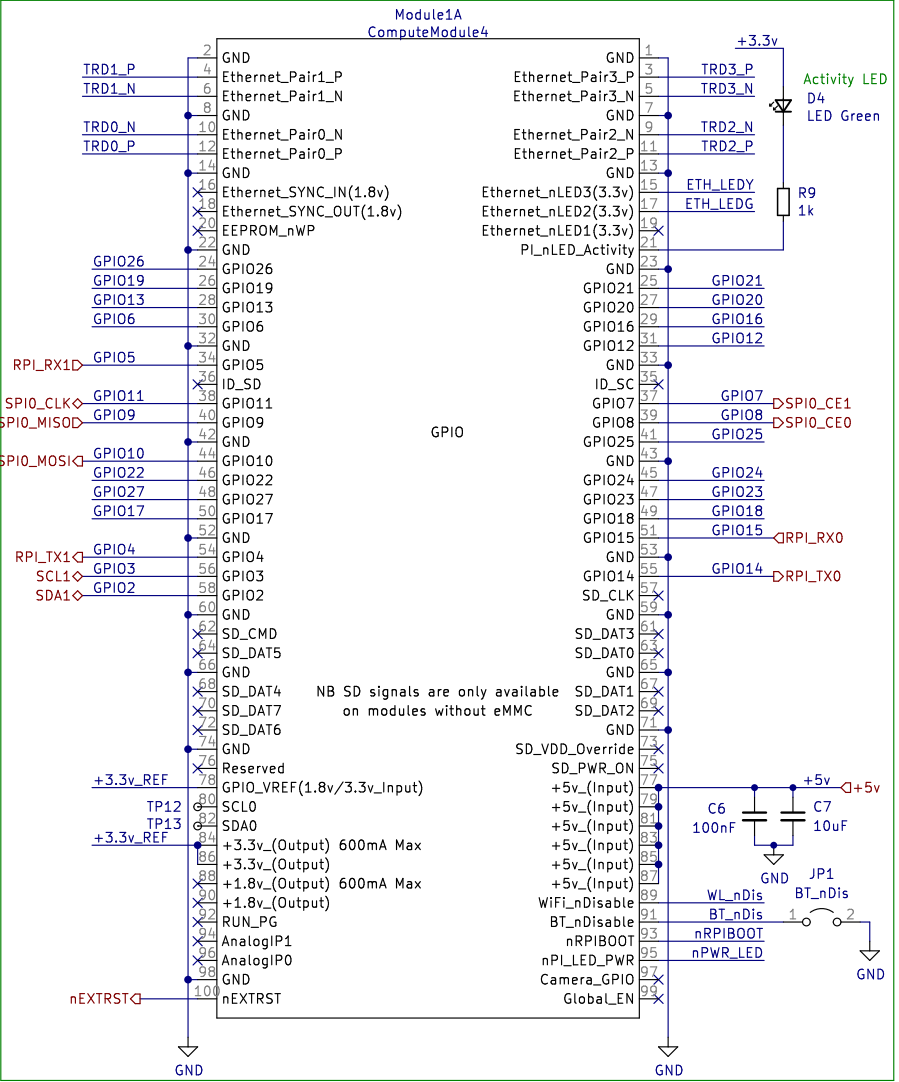
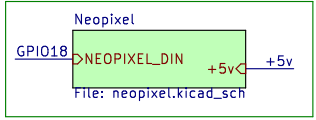
Title: Carrier Board

Size: A4 Date: 2023-12-09

KiCad E.D.A. kicad 7.99.0-unknown

Rev: V3

Id: 3/9



The MUREX Carrier Board is the world's first open-source CM4-based ROV (robotics) control board.

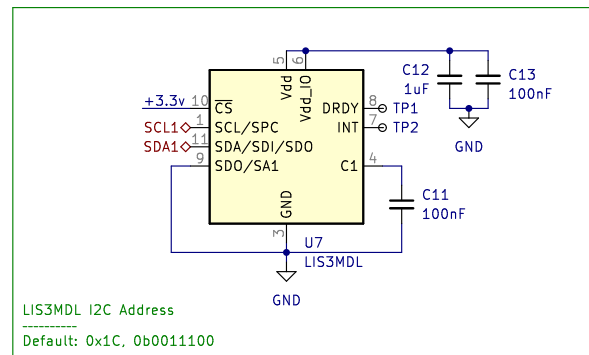
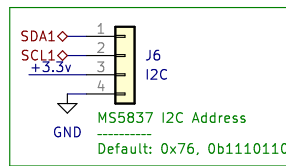
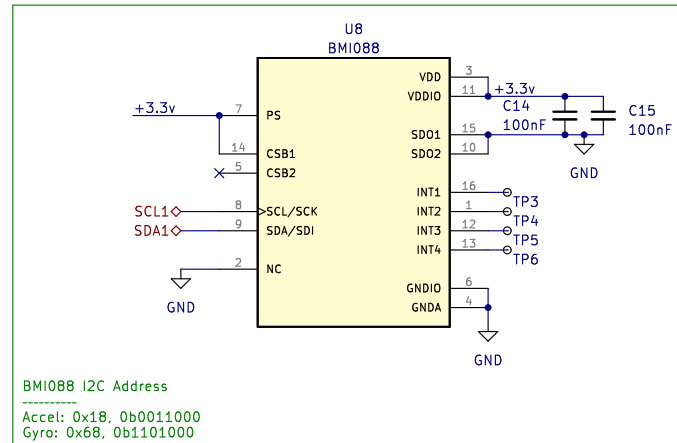
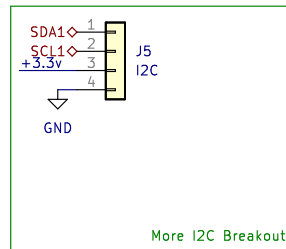
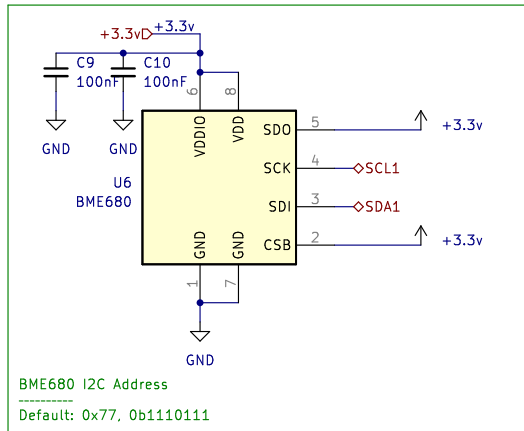
// ATTEMPT THE IMPOSSIBLE
// DO IT RIGHT, DO IT MUREX

MUREX Robotics [Byran Huang]

Sheet: /CM4_GPIO/
File: CM4_GPIO.kicad_sch

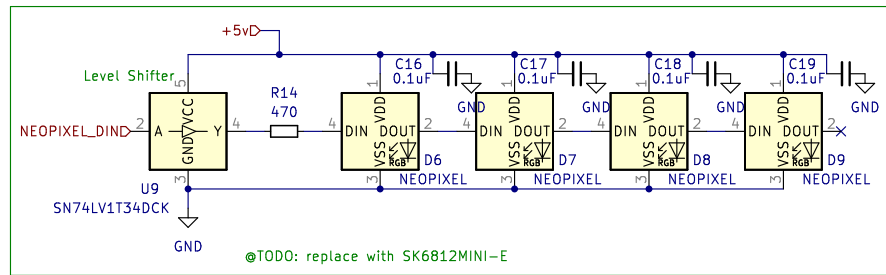
Title: Carrier Board

Size: A4	Date: 2023-12-09	Rev: V3
KiCad E.D.A. kicad 7.99.0-unknown		Id: 4/9



The MUREX Carrier Board is the world's first open-source CM4-based ROV (robotics) control board.
 // ATTEMPT THE IMPOSSIBLE
 // DO IT RIGHT, DO IT MUREX
MUREX Robotics [Byran Huang]
 Sheet: /Sensors/
 File: sensors.kicad_sch

Title: Carrier Board	
Size: A4	Date: 2023-12-09
KiCad E.D.A. kicad 7.99.0-unknown	Rev: V3
	Id: 5/9



The MUREX Carrier Board is the world's first open-source
CM4-based ROV (robotics) control board.

// ATTEMPT THE IMPOSSIBLE
// DO IT RIGHT, DO IT MUREX

MUREX Robotics [Byran Huang]

Sheet: /CM4_GPIO/Neopixel/
File: neopixel.kicad_sch

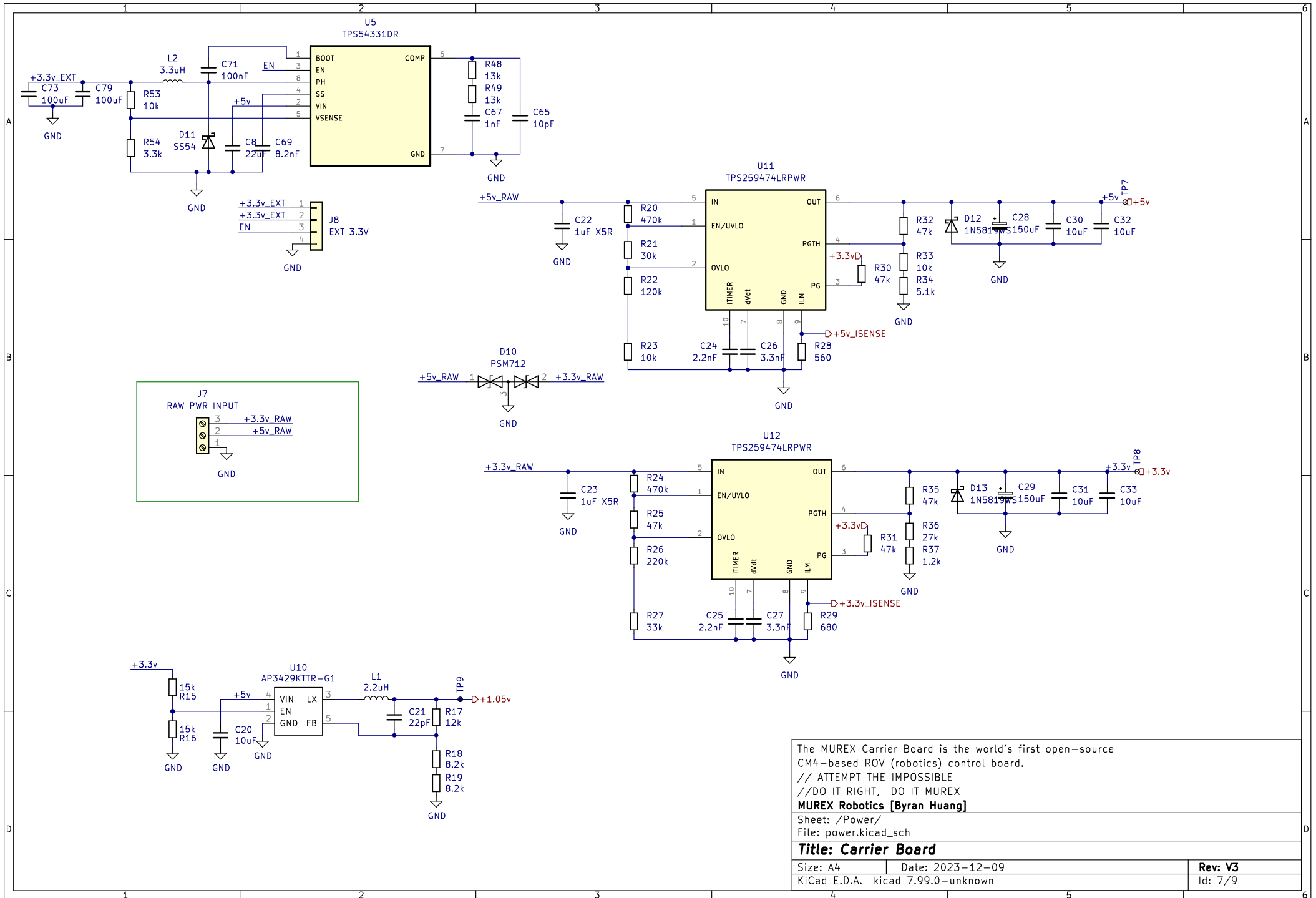
Title: Carrier Board

Size: A4 Date: 2023-12-09

KiCad E.D.A. kicad 7.99.0-unknown

Rev: V3

Id: 6/9

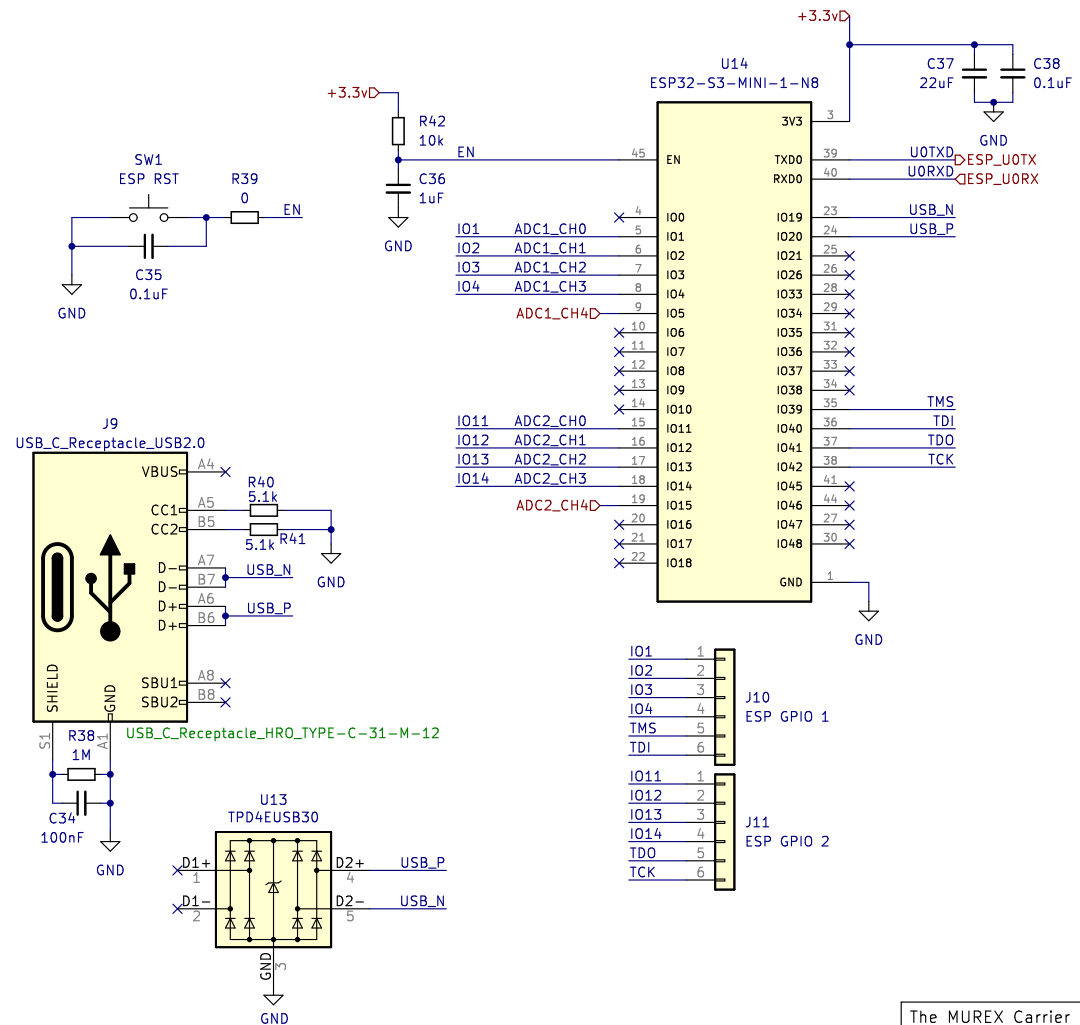


The MUREX Carrier Board is the world's first open-source CM4-based ROV (robotics) control board.
 // ATTEMPT THE IMPOSSIBLE
 // DO IT RIGHT, DO IT MUREX
MUREX Robotics [Byran Huang]

Sheet: /Power/
 File: power.kicad_sch

Title: Carrier Board

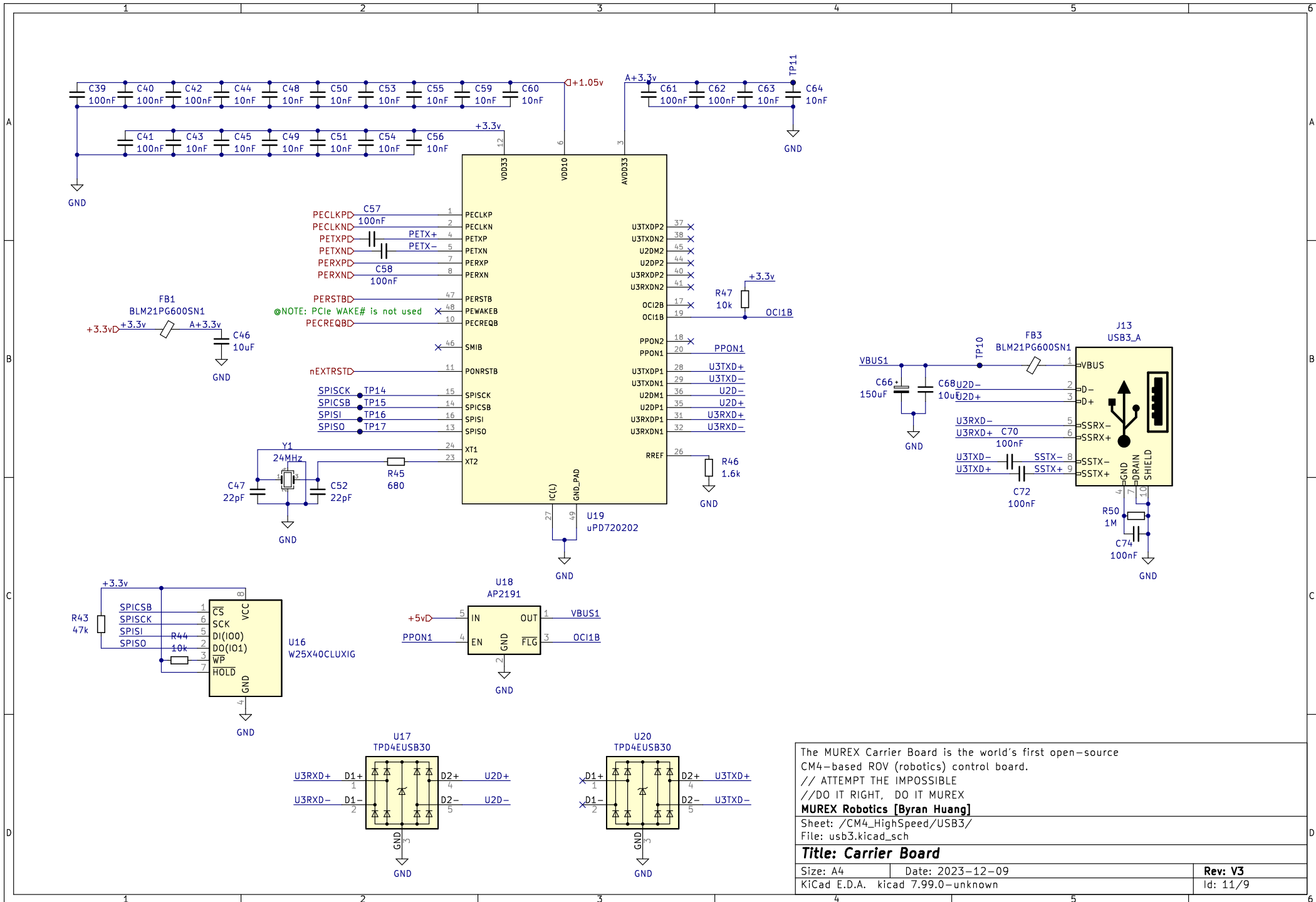
Size: A4	Date: 2023-12-09	Rev: V3
KiCad E.D.A. kicad 7.99.0-unknown		Id: 7/9



The MUREX Carrier Board is the world's first open-source CM4-based ROV (robotics) control board.
 // ATTEMPT THE IMPOSSIBLE
 // DO IT RIGHT, DO IT MUREX
MUREX Robotics [Byran Huang]
 Sheet: /ESP32-S3/
 File: esp32-s3.kicad_sch

Title: Carrier Board

Size: A4	Date: 2023-12-09	Rev: V3
KiCad E.D.A. kicad 7.99.0-unknown		Id: 10/9



The MUREX Carrier Board is the world's first open-source CM4-based ROV (robotics) control board.
 // ATTEMPT THE IMPOSSIBLE
 // DO IT RIGHT, DO IT MUREX
MUREX Robotics [Byran Huang]
 Sheet: /CM4_HighSpeed/USB3/
 File: usb3.kicad_sch

Title: Carrier Board	
Size: A4	Date: 2023-12-09
KiCad E.D.A. kicad 7.99.0-unknown	Rev: V3
	Id: 11/9