

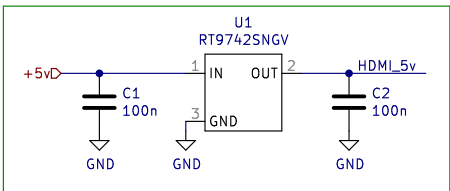
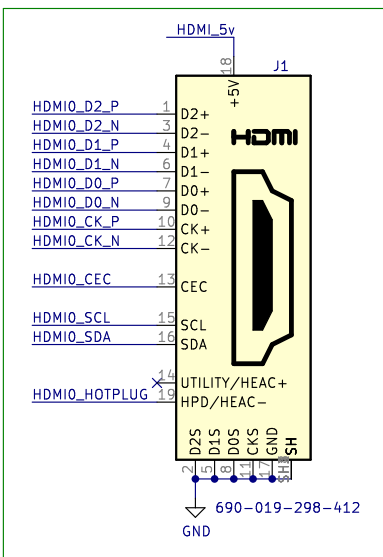
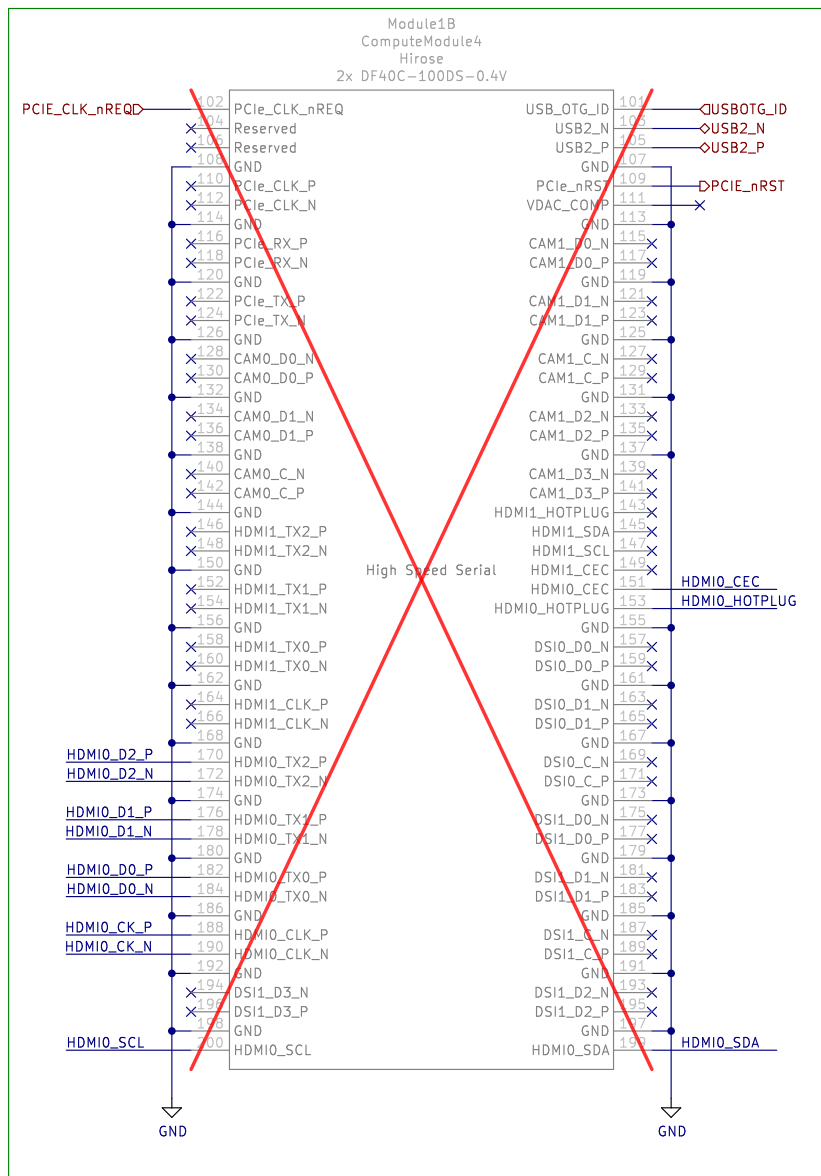
- H1 MountingHole
- H2 MountingHole
- H3 MountingHole
- H4 MountingHole

The MUREX Carrier Board is the world's first open-source CM4-based ROV (robotics) control board.
 // ATTEMPT THE IMPOSSIBLE
 // DO IT RIGHT, DO IT MUREX
MUREX Robotics [Byran Huang]

Sheet: /
 File: carrier.kicad_sch

Title: Carrier Board

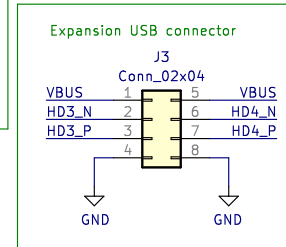
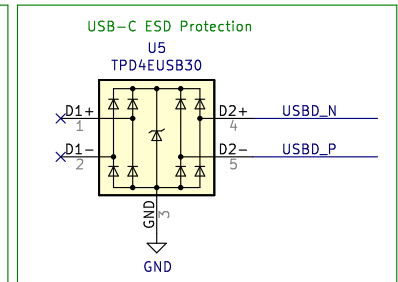
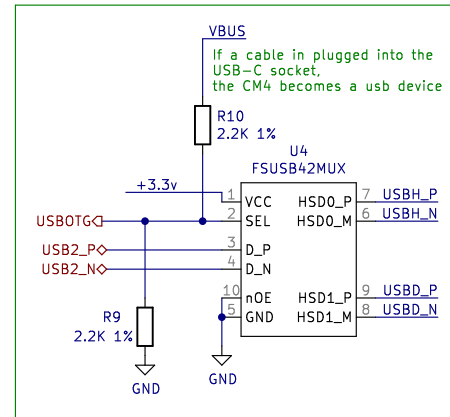
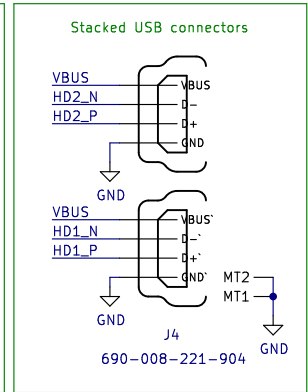
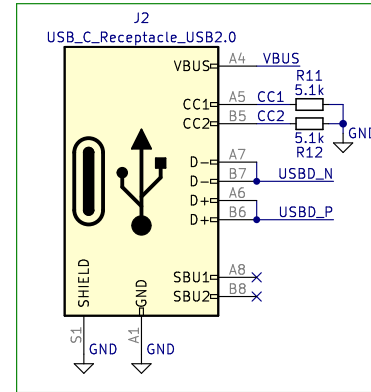
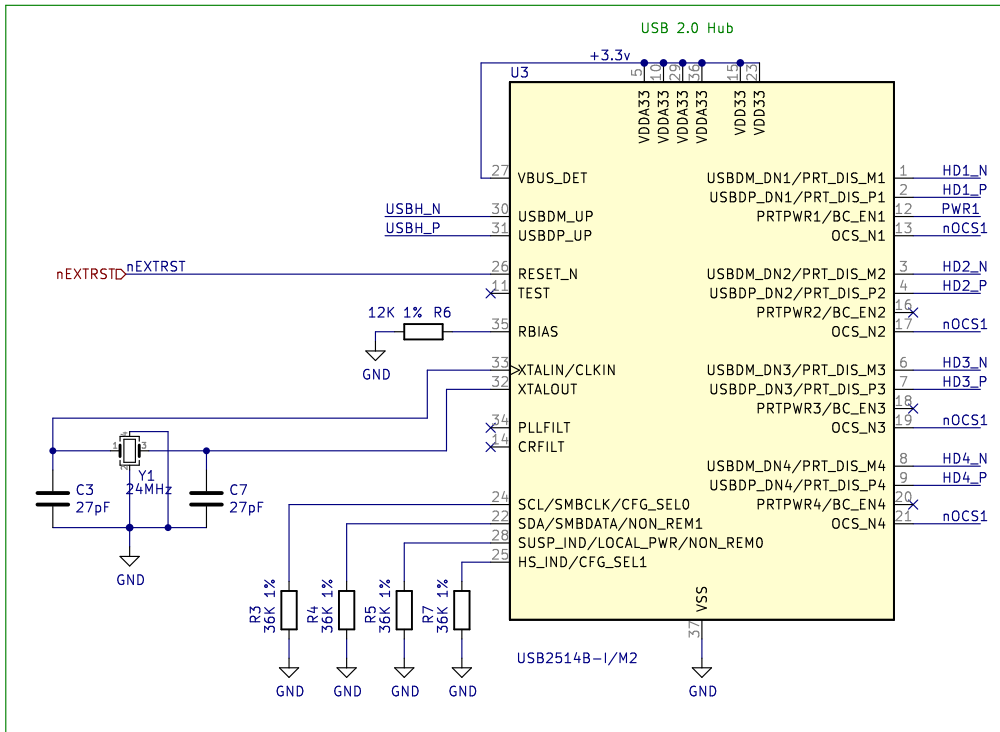
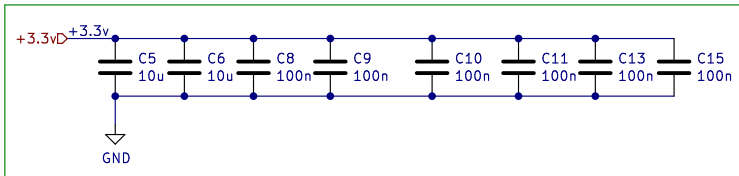
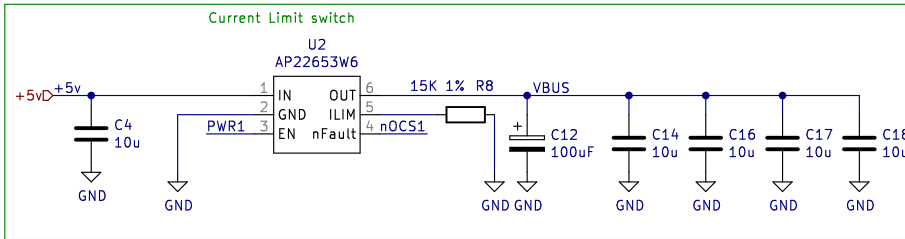
Size: A4	Date: 2023-07-04	Rev: V1.1
KiCad E.D.A. kicad 7.99.0-957-g18dd623122		Id: 1/8



The MUREX Carrier Board is the world's first open-source CM4-based ROV (robotics) control board.
 // ATTEMPT THE IMPOSSIBLE
 // DO IT RIGHT, DO IT MUREX
MUREX Robotics [Byran Huang]
 Sheet: /CM4_HighSpeed/
 File: CM4_HighSpeed.kicad_sch

Title: Carrier Board

Size: A4	Date: 2023-07-04	Rev: V1.1
KiCad E.D.A. kicad 7.99.0-957-g18dd623122		Id: 2/8



The MUREX Carrier Board is the world's first open-source CM4-based ROV (robotics) control board.

// ATTEMPT THE IMPOSSIBLE
// DO IT RIGHT, DO IT MUREX
MUREX Robotics [Byran Huang]

Sheet: /USB2-HUB/
File: USB2-HUB.kicad_sch

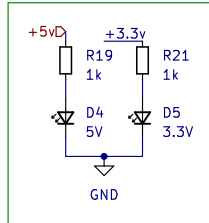
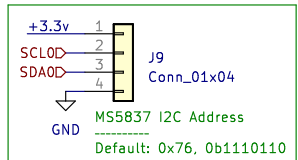
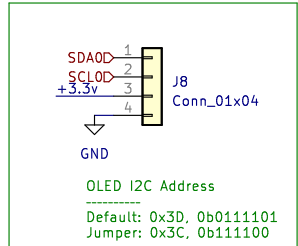
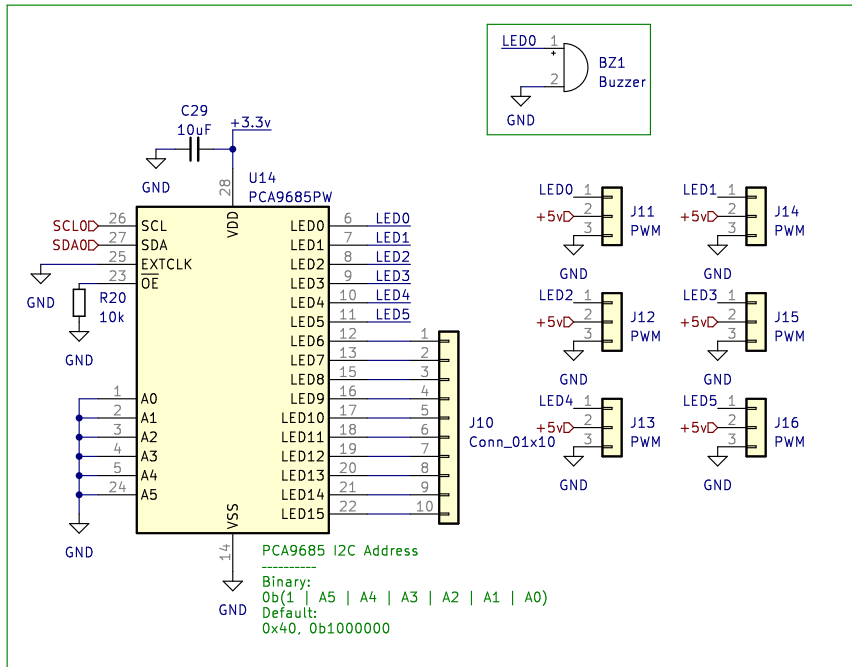
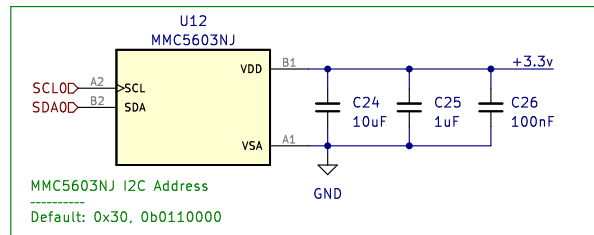
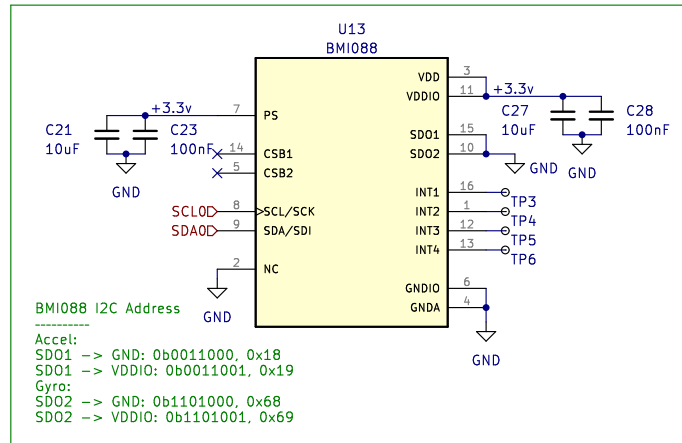
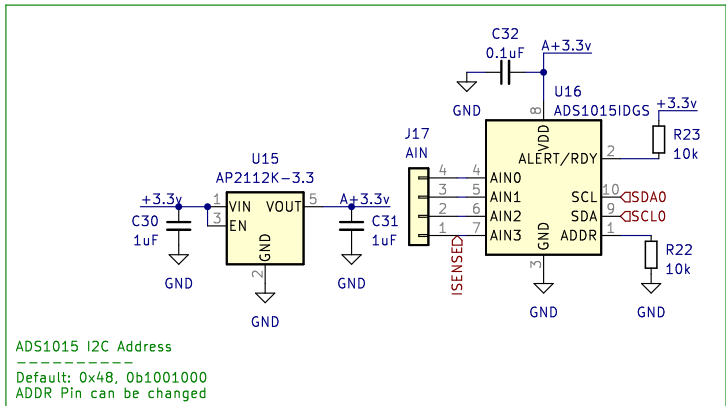
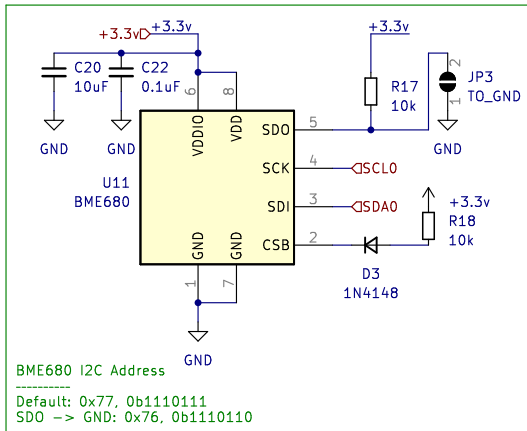
Title: Carrier Board

Size: A4 Date: 2023-07-04

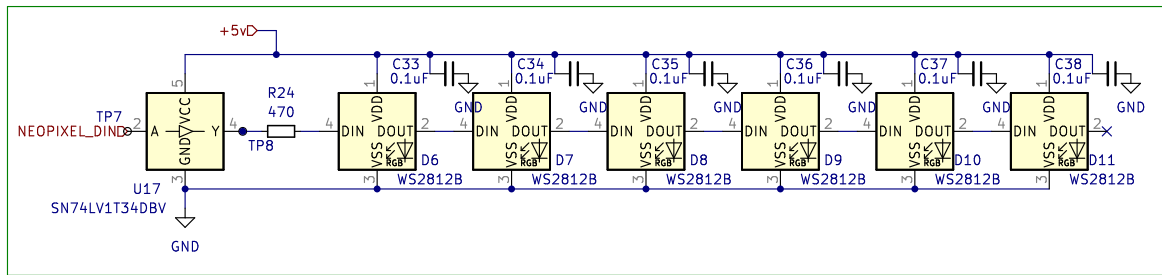
KiCad E.D.A. kicad 7.99.0-957-g18dd623122

Rev: V1.1

Id: 3/8

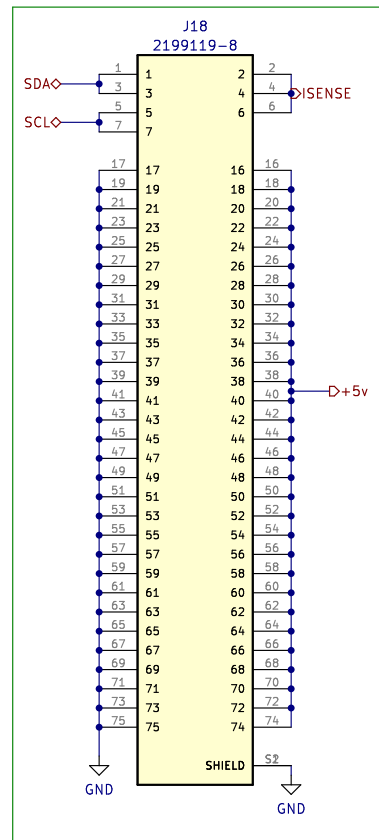


The MUREX Carrier Board is the world's first open-source CM4-based ROV (robotics) control board.
 // ATTEMPT THE IMPOSSIBLE
 // DO IT RIGHT, DO IT MUREX
MUREX Robotics [Byran Huang]
 Sheet: /Sensors/
 File: sensors.kicad_sch
Title: Carrier Board
 Size: A4 Date: 2023-07-04
 KiCad E.D.A. kicad 7.99.0-957-g18dd623122
 Rev: V1.1
 Id: 5/8

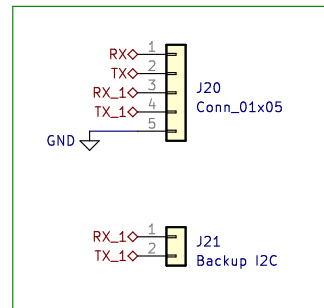
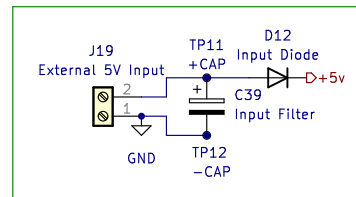


The MUREX Carrier Board is the world's first open-source CM4-based ROV (robotics) control board.
 // ATTEMPT THE IMPOSSIBLE
 // DO IT RIGHT, DO IT MUREX
MUREX Robotics [Byran Huang]
 Sheet: /CM4_GPIO (Ethernet, GPIO, SDCARD)/Neopixel/
 File: neopixel.kicad_sch

Title: Carrier Board	
Size: A4	Date: 2023-07-04
KiCad E.D.A. kicad 7.99.0-957-g18dd623122	Rev: V1.1
	Id: 6/8



- H5
CM4 GPIO Hirose 2x50
- H6
CM4 High Speed Hirose 2x50



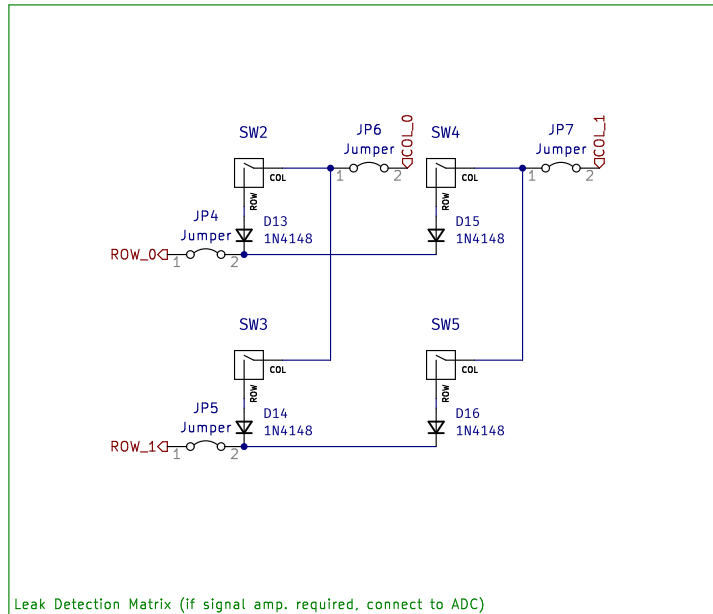
The MUREX Carrier Board is the world's first open-source
CM4-based ROV (robotics) control board.
// ATTEMPT THE IMPOSSIBLE
// DO IT RIGHT, DO IT MUREX
MUREX Robotics [Byran Huang]

Sheet: /Connectors/
File: connectors.kicad_sch

Title: Carrier Board

Size: A4 Date: 2023-07-04
KiCad E.D.A. kicad 7.99.0-957-g18dd623122

Rev: V1.1
Id: 7/8



The MUREX Carrier Board is the world's first open-source
CM4-based ROV (robotics) control board.

// ATTEMPT THE IMPOSSIBLE
// DO IT RIGHT, DO IT MUREX

MUREX Robotics [Byran Huang]

Sheet: /CM4_GPIO (Ethernet, GPIO, SDCARD)/Leak Sensor/
File: leaksensor.kicad_sch

Title: Carrier Board

Size: A4 Date: 2023-07-04
KiCad E.D.A. kicad 7.99.0-957-g18dd623122

Rev: V1.1
Id: 8/8