

- H1 ESC Mount
- H2 ESC Mount
- H3 ESC Mount
- H4 ESC Mount
- H5 ESC Mount
- H6 ESC Mount

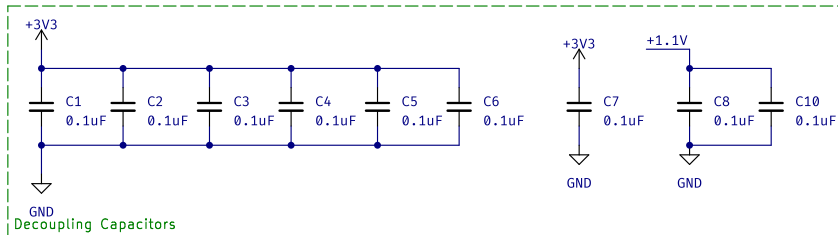
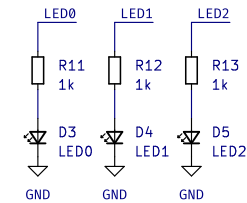
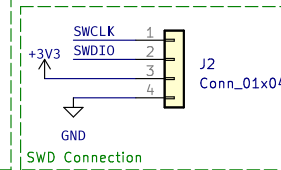
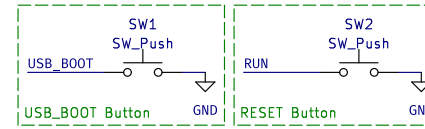
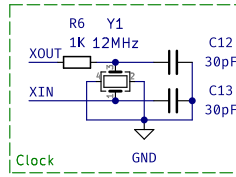
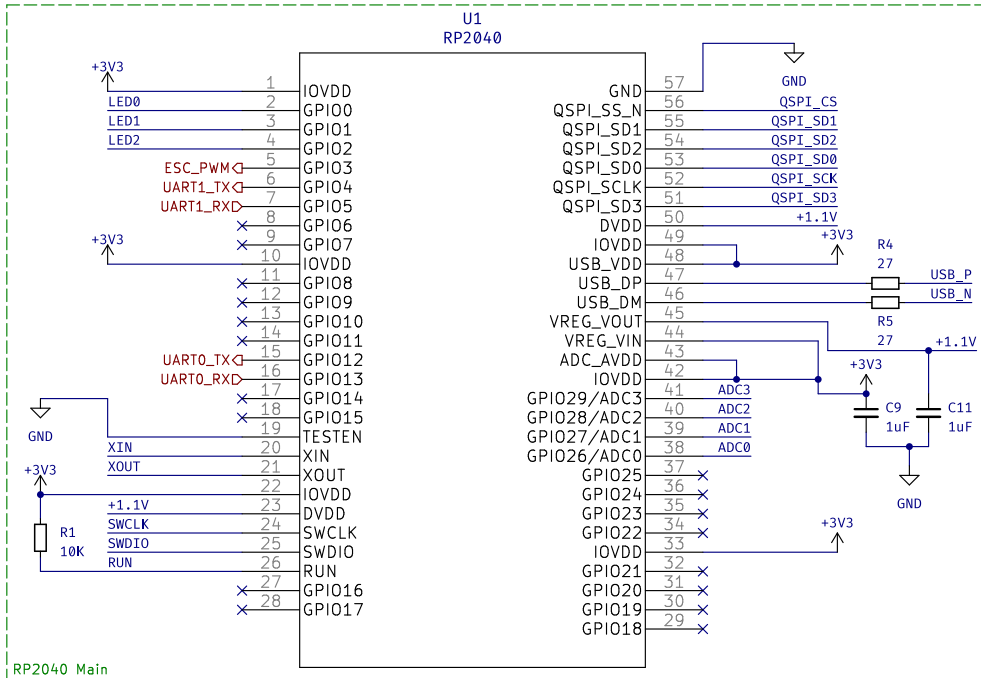
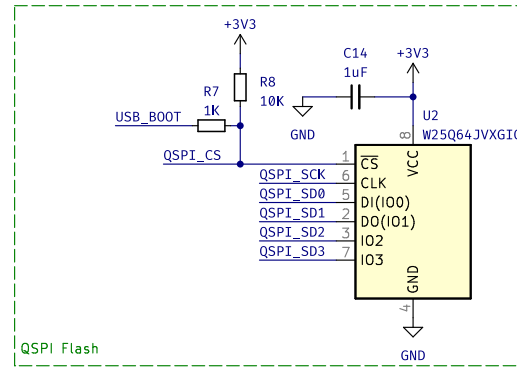
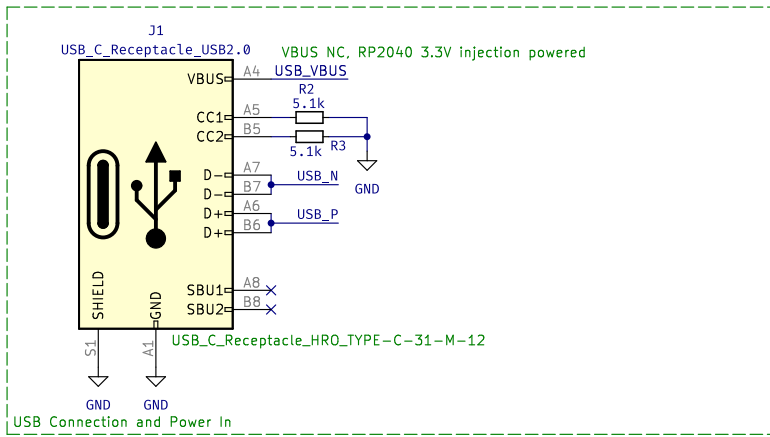
// ATTEMPT THE IMPOSSIBLE
 // TECHNOLOGY FOR ALL
 ESC agnostic integration board for the MUREX
 electronic speed controlling system
MUREX Robotics [Byran Huang]

Sheet: /
 File: anyesc.kicad_sch

Title: ANYESC

Size: A4 Date: 2023-08-31
 KiCad E.D.A. kicad 7.99.0-unknown

Rev: V1.0
 Id: 1/2



// ATTEMPT THE IMPOSSIBLE
 // TECHNOLOGY FOR ALL
 ESC agnostic integration board for the MUREX
 electronic speed controlling system
MUREX Robotics [Byran Huang]

Sheet: /RP2040/
 File: rp2040.kicad_sch

Title: ANYESC

Size: A4 Date: 2023-08-31
 KiCad E.D.A. kicad 7.99.0-unknown

Rev: V1.0
 Id: 2/2